

## Specifications

**Concrete:** Minimum Compressive Strength is 5,000 PSI @ 28 Days.

**Reinforcing:** Primary reinforcement will be cover, side and bottom, #3 and / or #4 Rebar (Grade 60).

**Sealant:** Butyl Sealant used in the seam of the tank and risers will meet or exceed ASTM C990.

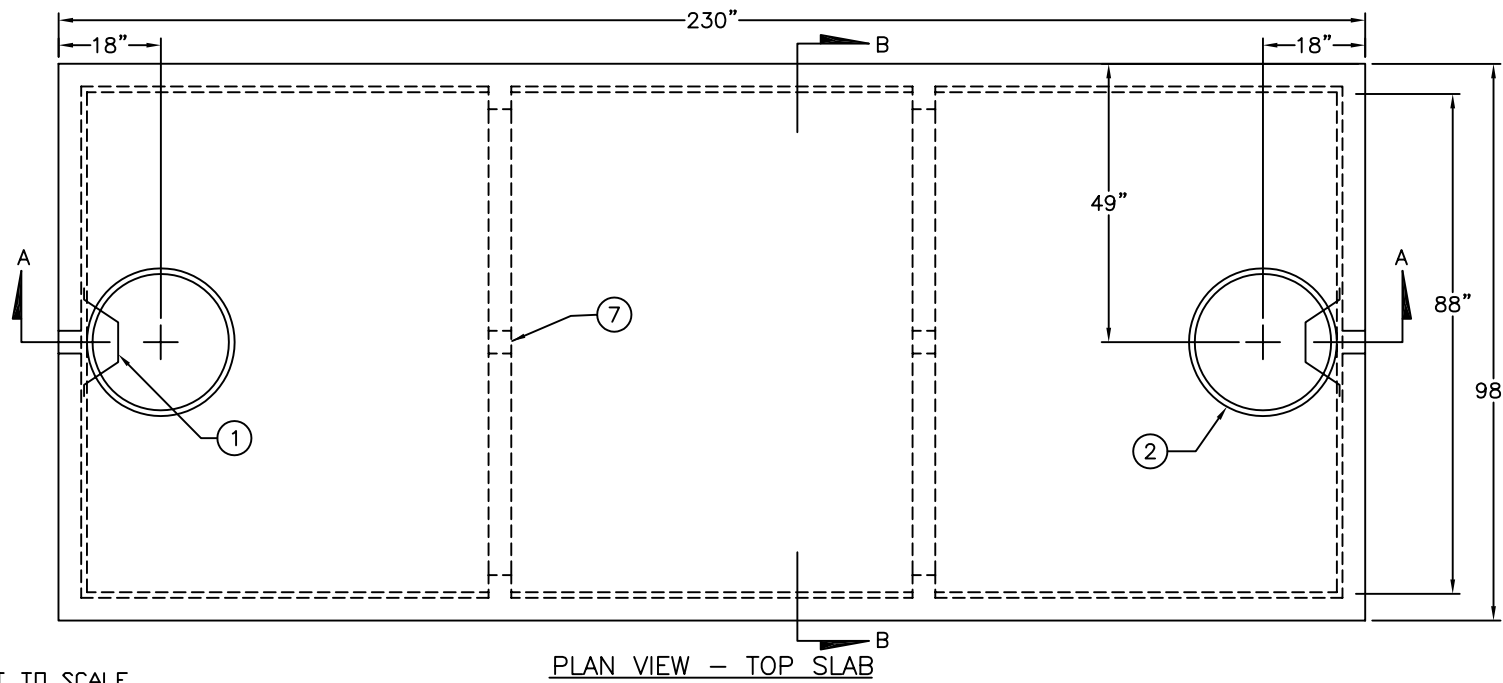
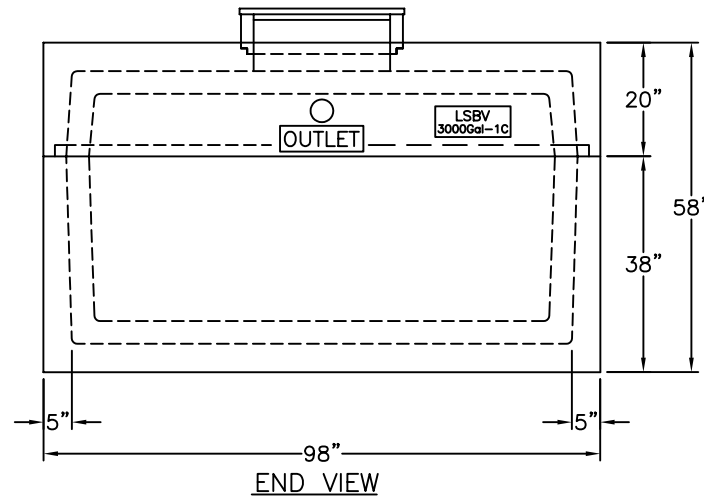
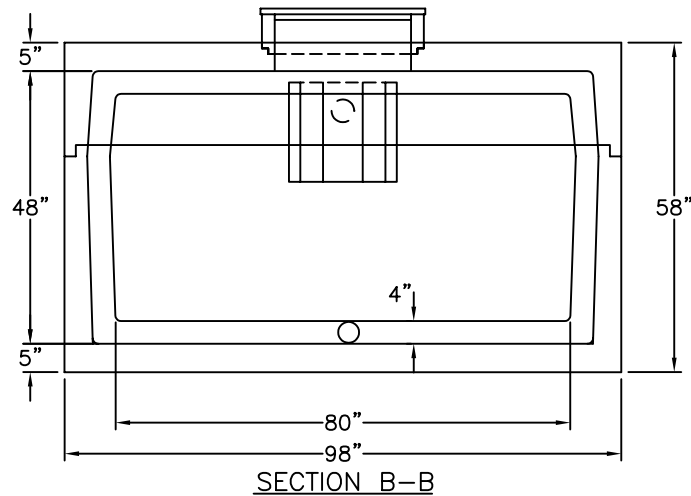
**Inlet and Outlet Openings:** Are fitted with Pipe-to-Structure connectors that meet or exceed ASTM C923.

**Earth Cover:** Minimum 2' to Maximum 8'.

**Design Data:** Design per ASTM C1227. Not traffic rated, consult Lake Shore Burial Vault if required.

**Installation:** The excavated hole is not to be more than one foot longer and wider than the tank. There shall be a minimum bedding of 4" of washed sand or stone less than 1" in size in soil terrain and 8" bedding in rock terrain. Backfilling around tanks with material describe above is suggested when cover is 4' or greater.

**Tank Warranty:** Lake Shore Burial Vault Company's tanks are warranted against defective materials and / or workmanship for One year from the date of delivery when installed with manufacturer's instructions. Should a defect appear within the warranty period, Lake Shore Burial Vault will supply a new tank in replacement thereof. Lake Shore Burial Vault's liability is limited to the value of the tank itself and specifically excludes the cost of installation and/or removal and any subsequent damages. Failure to follow installation procedures and general notes will void the warranty.



NOT TO SCALE

**Lake Shore Burial Vault Co., Inc**  
 12780 W. Lisbon Road  
 Brookfield, WI 53005  
**Phone:** 262.781.6262 **Fax:** 262.781.6280  
[www.lsburialvaults.com](http://www.lsburialvaults.com)

**General Notes:**

This drawing is the property of Lake Shore Burial Vault Company and shall not be copied or submitted without the consent of this company. All vertical measurements are accurate within +/- 1" on the tank.

**Model:** 3,000 Gallon LP, Single Compartment, Mid-Seam Tank

**Drawn By:** MR **Date:** 2/22/10 **Septic Tank:** 3,321 Gal. **Holding Tank:** 3,491 Gal. **GPI:** 85.15

**Approx Weight:** 13,920 lbs - T  
 19,680 lbs - B **Dwg. No:** 03000.00S (1 of 2)

## Specifications

**Concrete:** Minimum Compressive Strength is 5,000 PSI @ 28 Days.

**Reinforcing:** Primary reinforcement will be cover, side and bottom, #3 and / or #4 Rebar (Grade 60).

**Sealant:** Butyl Sealant used in the seam of the tank and risers will meet or exceed ASTM C990.

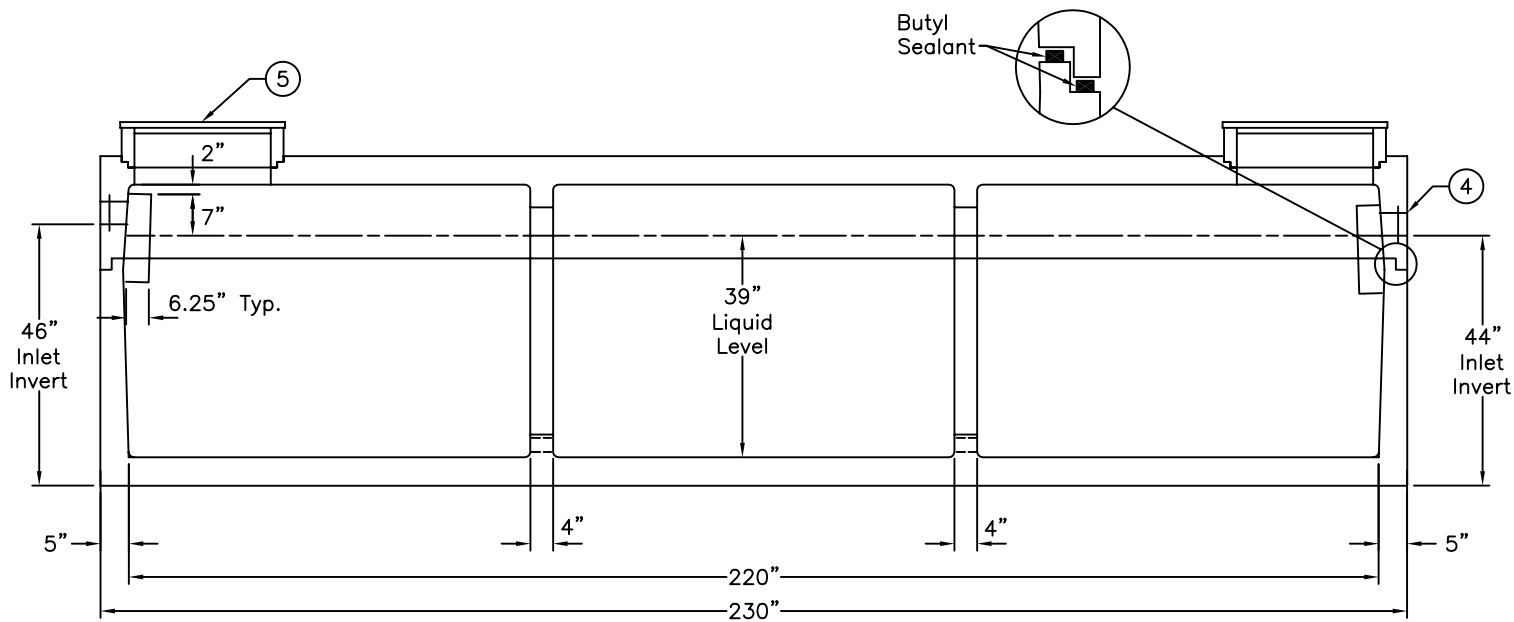
**Inlet and Outlet Openings:** Are fitted with Pipe-to-Structure connectors that meet or exceed ASTM C923.

**Earth Cover:** Minimum 2' to Maximum 8'.

**Design Data:** Design per ASTM C1227. Not traffic rated, consult Lake Shore Burial Vault if required.

**Installation:** The excavated hole is not to be more than one foot longer and wider than the tank. There shall be a minimum bedding of 4" of washed sand or stone less than 1" in size in soil terrain and 8" bedding in rock terrain. Backfilling around tanks with material describe above is suggested when cover is 4' or greater.

**Tank Warranty:** Lake Shore Burial Vault Company's tanks are warranted against defective materials and / or workmanship for One year from the date of delivery when installed with manufacturer's instructions. Should a defect appear within the warranty period, Lake Shore Burial Vault will supply a new tank in replacement thereof. Lake Shore Burial Vault's liability is limited to the value of the tank itself and specifically excludes the cost of installation and/or removal and any subsequent damages. Failure to follow installation procedures and general notes will void the warranty.



SECTION A-A

Item No	Description
1	Tank Baffle - HDPE
2	Riser - 24" Dia
3	Boss Stop
4	Pipe-To-Structure Connector
5	Manhole Cover
6	Tank Baffle - PVC
7	4" Dia. Pass-Thru

NOT TO SCALE

**Lake Shore Burial Vault Co., Inc**  
 12780 W. Lisbon Road  
 Brookfield, WI 53005  
**Phone:** 262.781.6262 **Fax:** 262.781.6280  
[www.lsburialvaults.com](http://www.lsburialvaults.com)

**General Notes:**

This drawing is the property of Lake Shore Burial Vault Company and shall not be copied or submitted without the consent of this company. All vertical measurements are accurate within +/- 1" on the tank.

**Model:** 3,000 Gallon LP, Single Compartment, Mid-Seam Tank

**Drawn By:** MR **Date:** 2/22/10 **Septic Tank:** 3,321 Gal. **GPI:** 85.15  
**Holding Tank:** 3,491 Gal.

**Approx Weight:** 13,920 lbs - T  
 19,680 lbs - B **Dwg. No:** 03000.00S (2 of 2)